



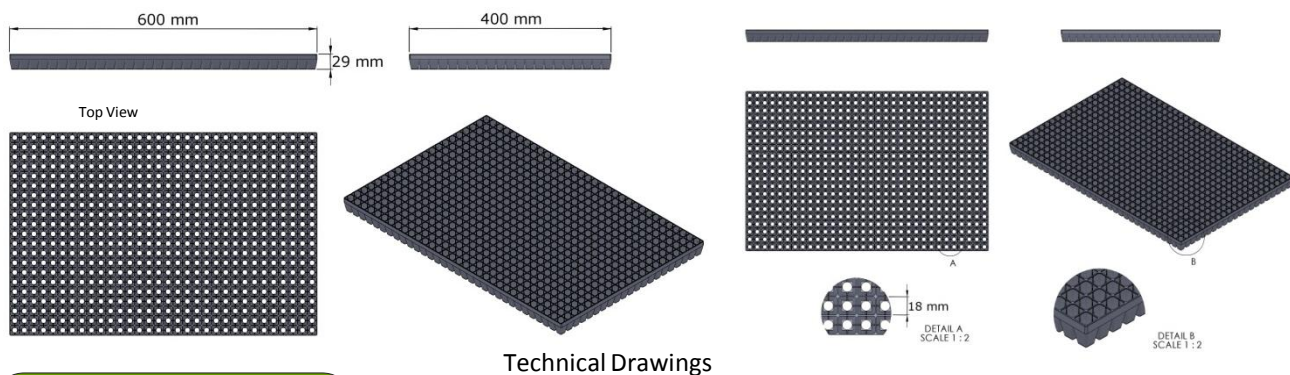
Growing Trays – Ref. 672



Perspective View



Detail

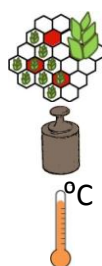


Technical Drawings

Characteristics

Dimensions:

- height: 29mm
- length: 600mm
- width: 400mm



Plants by m²: 2800
 Volume/cell: 5,5 cm³
 Weight: 1,181kg
 Color: black (for other colors, contact us)
 Warranty: 5 years
 Temperature (sterilization): until 130°C

Application



HORTICULTURE – FLORICULTURE – STAKE ROOTING
 Garlic, Onion, Aromatic plants, Petunias and Micro propagation

More Information:



Transport



Quantity / Palet (Container): 375
 Quantity / Palet (Truck)¹: 405

¹ - For trucks with 2,30 m height