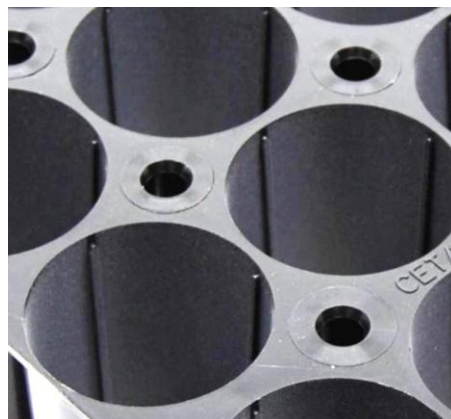




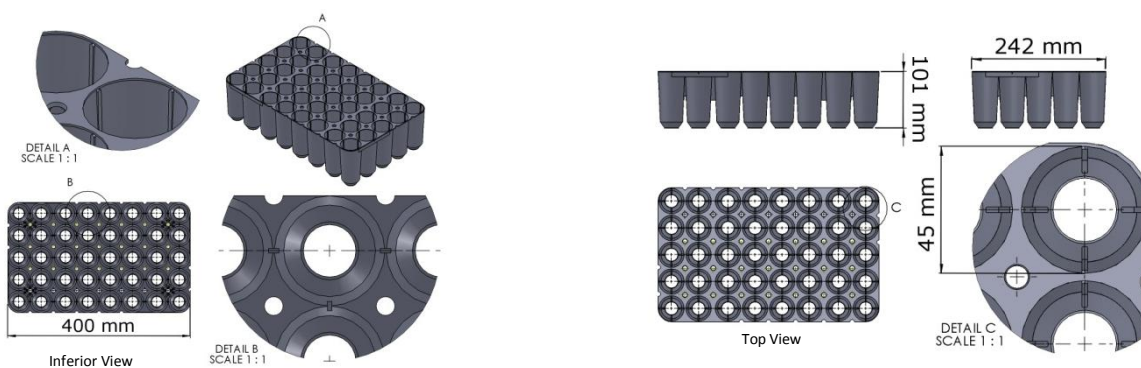
**Growing Trays – Ref. 40 OPTIM**



Perspective View



Detail

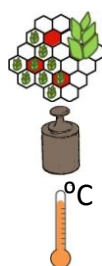


Technical Drawings

**Characteristics**

**Dimensions:**

- height: 101mm
- length: 400mm
- width: 242mm



- Plants by m<sup>2</sup>: 400
- Volume/cell: 120 cm<sup>3</sup>
- Weight: 0,645Kg
- Color: black (for other colors, contact us)
- Warranty: 5 years
- Temperature (sterilization): until 130°C

**Application**



**FORESTRY – FRUITCULTURE – ORNAMENTAL**  
Eucalyptus (seed or stake) and Pine

More Information:



**Transport**



Quantity / Palet (Container): 481  
Quantity / Palet (Truck)<sup>1</sup>: 520

<sup>1</sup> - For trucks with 2,30 m height