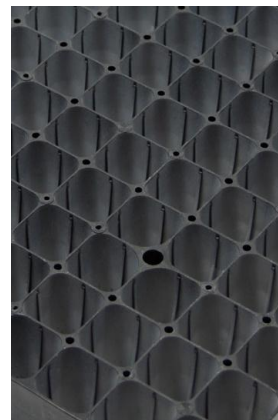




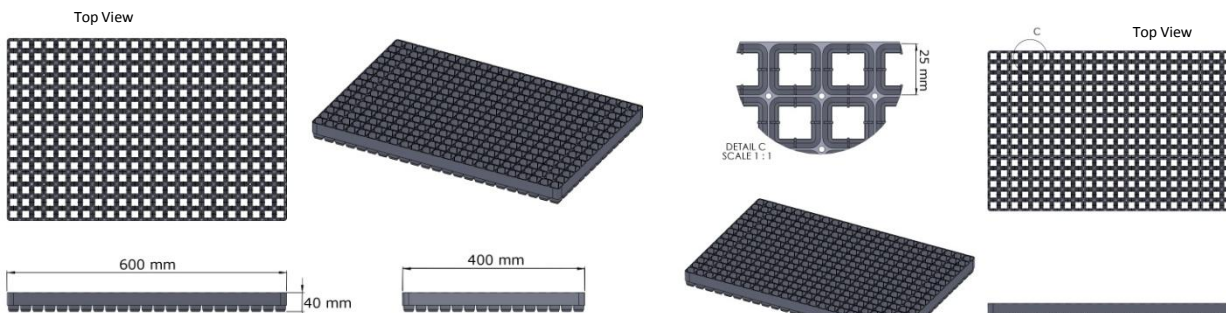
Growing Trays – Ref. 345 – 60x40



Perspective View



Detail

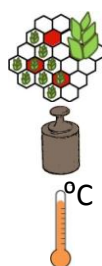


Technical Drawings

Characteristics

Dimensions:

- height: 40mm
- length: 600mm
- width: 400mm



Plants by m²: 1430
 Volume/cell: 17 cm³
 Weight: 1,322kg
 Color: black (for other colors, contact us)
 Warranty: 5 years
 Temperature (sterilization): until 130°C

Application



HORTICULTURE – FLORICULTURE – STAKE ROOTING
 Green pepper, Industrial tomato and Lettuce

More Information:



Transport



Quantity / Palet (Container): 240
 Quantity / Palet (Truck)¹: 260

¹ - For trucks with 2,30 m height