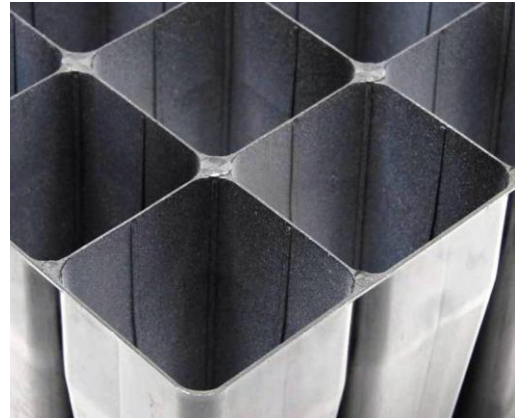




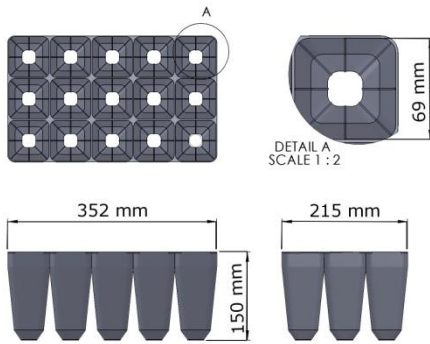
**Growing Trays – Ref. 15 A**



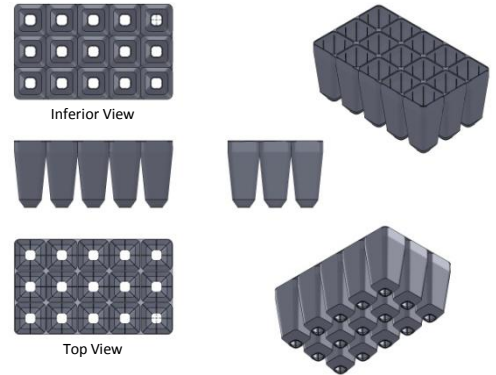
Perspective View



Detail



Technical Drawings



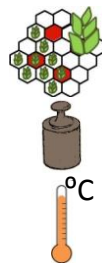
Inferior View

Top View

**Characteristics**

**Dimensions:**

- height: 150mm
- length: 352mm
- width: 215mm



- Plants by m<sup>2</sup>: 204
- Volume/cell: 500 cm<sup>3</sup>
- Weight: 0,521kg
- Color: black (for others colors, contact us)
- Warranty: 5 years
- Temperature (sterilization): until 130°C

**Application**



**FORESTRY – FRUITCULTURE – ORNAMENTAL**  
Holm oak, Cork oak Palm trees, Walnut, Oak,  
Chestnut tree (Broadleaf) and Carob

More Information:



**Transport**



Quantity / Palet (Container): 714  
Quantity / Palet (Truck)<sup>1</sup>: 765

<sup>1</sup> - For trucks with 2,30 m height